

Description

The SD-9 is a large concrete spraying machine for the processing of dry mix.

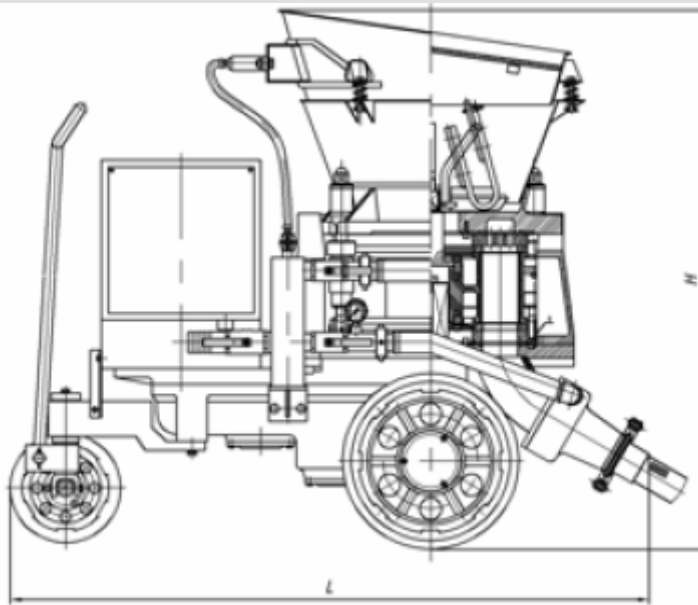
The machine can be used thanks to its compact design and mobility where space is at a premium e.g. in mines and galleries.

Other potential applications are slope and hillside protection, lining of water tanks and swimming pools, guniting for single and double shell tunnel construction, backfilling of tubing.

The SD-9 is available in the following versions.

- BASIC Electric drive
- AIR With air drive

Dimensions



Dimension with classis

Length	1500mm
Height	1320 mm
Width	830 mm
Weight	900 kg
Content of hopper	70 Liters

Dimension with skid

Length	1500mm
Height	1195 mm
Width	620 mm
Weight	900 kg
Content of hopper	70 Liters

Drive

Electric (BASIC)

Motor output	7.5 KW/10hp
Speed range	1500 rpm
Voltages	380 V 50 Hz
	440V 50/60 Hz
	220 V 50/60Hz

With air motor (AIR)

Motor output	8 KW/11hp
Speed range	400-650 rpm
Pressure	0.63 Mpa/93psi
Air consumption	9.36m ³ /min

The information contained in this document is believed to correct but SUG accepts no liability for any errors it contains, and reserves the right to alter specifications without notice. Please consult the respective machine manual for all matters related to operations and maintenance.

Theoretical conveying date (only dry)				
Hose Φ (mm)	Conveying output ¹⁾ (m ³ /h)		max. grain (mm)	max. conv. dist. (m) Horizontal / Vertical
	BASIC		AIR	
65	9	4~ 8	20	200 / 70

1) With theoretical filling degree of 100%. If motor with 60 Hz =20% higher conveying capacity

Theoretical date for air consumption for conveying

Air consumption (m ³ /min.) ²⁾	
Dry spraying	
60 m	120 m
10	12

2) Air consumption data are approximate values and are depending on conveying distance.

CAUTION: For the configuration AIR (with air motor) it has to be considered:

Total air consumption = Air consumption for conveying + Air consumption for air motor!

SD-9 with AIR



The information contained in this document is believed to correct but SUG accepts no liability for any errors it contains, and reserves the right to alter specifications without notice. Please consult the respective machine manual for all matters related to operations and maintenance.