

SUG GP60/40D Piston Grouting Pump

The GP60/40D is a piston-grouting pump for the processing of middle pressure grouting. The machine is suitable for grouting with either of single slurry and two different slurries. It can be widely used for tunnels, slope, mining, bridge and all sorts of underground engineering etc.

Main technical features:

- ◆ Single piston double acting
- ◆ Gear & vee belt transmission makes this pump high mechanical efficiency and working reliability
- ◆ Integrated valve house and ball valve, together with compact structure
- ◆ Can complete double slurry grouting and single slurry grouting

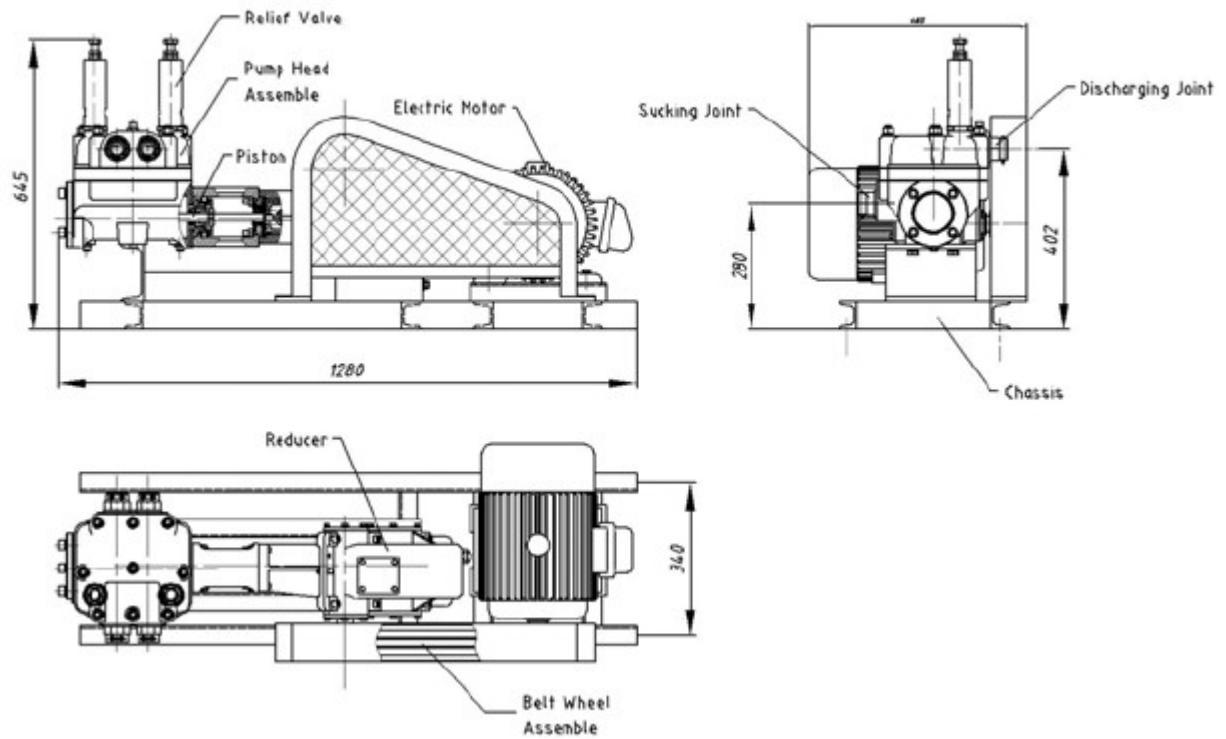


Technical data

Output	60L/min (3.6m ³ /h)
Working Pressure	4MPa(40kgf/cm ²)
Working Cylinder Dia.	φ 75 mm
Piston Stroke	85mm
Piston Speed	85 times/min
Inlet Hose Dia.	42mm
Outlet Hose Dia.	38mm
Motor Power	5.5kW
Weight	210kg
Overall Dimension(L×W×H)	1280mm*485mm*645mm

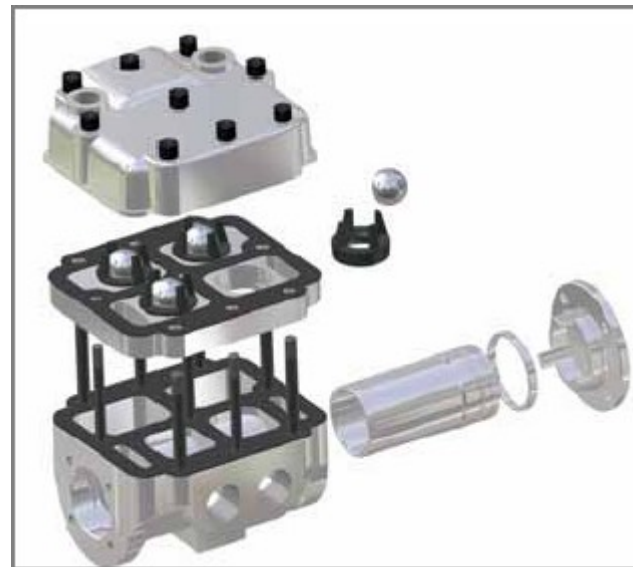
The information contained in this document is believed to correct but SUG accepts no liability for any errors it contains, and reserves the right to alter specifications without notice. Please consult the respective machine manual for all matters related to operations and maintenance.

Structure and the setting dimension:



Pump Head Assemble

Germany S.U.G Group CO., LIMITED
No.288,Xihu West Road,
Wuxi,Jiangsu,China
Tel:+86-510-88298733
Fax:+86-510-82357933
<http://www.shotcrete.com.cn>
Email:sales@shotcrete.com.cn



The information contained in this document is believed to correct but SUG accepts no liability for any errors it contains, and reserves the right to alter specifications without notice. Please consult the respective machine manual for all matters related to operations and maintenance.